

BK5

BIOETHANOL BURNER



ecosmar⁺
Fire

The original ethanol burner within the EcoSmart Fire range – and one of the most versatile. A core component of many portable Freestanding Fires, Fireplace Inserts and individually designed indoor and outdoor fires. You're only limited by your imagination.

Comprehensively tested, safety is a key consideration. A highly versatile and environmentally friendly fire design tool.

Safe Filling

Perfectly aligned slider mechanism, filling point and fuelling system that allows an unobstructed view of the burner tank. This ensures the burner is not filled above the maximum capacity line.

An additional safety measure that prevents the filling point from being accessed while the slider is open. This ensures the flame is fully extinguished before the burner can be refuelled.

Reliable Operation

BK's minimalist design and ability to withstand extreme heat result in consistent and reliable operation at all temperatures and permitted fuel levels.

Seamless Construction

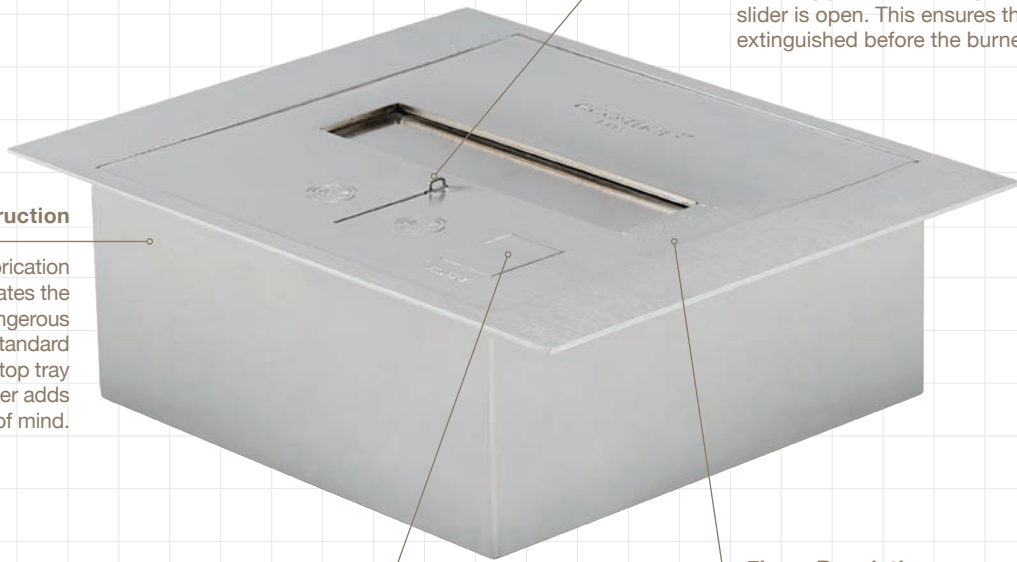
A deep-drawn fabrication process that eliminates the potential for dangerous leaks, while the standard provision of a top tray to hold the burner adds further peace of mind.

Dedicated Filling Point

A separate filling point and jerry can equipped with a safety spout, allows the burner to be refuelled safely and easily. The spout rests on a plate within the filling point to decrease the risk of over-filling the burner and eliminating the usual splash and spills that would otherwise occur when fuel is decanted into the burner.

Flame Regulation

Easy flame control that allows you to regulate the amount of heat being generated, and therefore the amount of fuel consumed. This results in a highly economical and efficient burner.



OPTIONAL ACCESSORIES



Fire Screens



Fire Screen Fixings

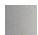


Decorative Media

Disclaimer. All product specifications and data are subject to change without notice and believed to be correct at the time of publication. The Fire Company Pty Ltd (TFC), its affiliates, agents, and employees, and all persons acting on its or their behalf (collectively, "The Fire Company"), disclaim any and all liability for any errors, inaccuracies or incompleteness contained herein or in any other disclosure relating to any product. TFC disclaims any and all liability arising out of the use or application of any product described herein or of any information provided herein to the maximum extent permitted by law. The product specifications do not expand or otherwise modify TFC's terms and conditions of purchase, including but not limited to the warranty expressed therein, which apply to these products. No license, express or implied, by estoppel or otherwise, to any intellectual property rights is granted by this document or by any conduct of TFC. Customers using or selling TFC products not expressly indicated for use in such applications do so entirely at their own risk and agree to fully indemnify TFC for any damages arising or resulting from such use or sale. Please contact authorised personnel from TFC to obtain written terms and conditions regarding products designed for such applications. Images are indicative only.

BK5



| | |
|-------------------------|---|
| Application | Indoor & Outdoor |
| Awards | 2004 Winner Design Mark Australian International Design Awards Sydney (AUS) |
| Materials | Grade 304 Stainless Steel |
| Weight | 7.6kg [16.6lbs] |
| Colour & SKU |  Stainless Steel ESF.1.B.BK5 |
| Fuel Type | e-NRG Bioethanol |

BURNER VENTILATION & EFFICIENCY*

| | |
|--|--|
| Fuel Capacity | 5 Litres [1.3 Gallons] |
| Heats on Average (when used indoors) | Over 35 square metres [376.7 square feet] |
| Fuel Consumption | 0.64 L/h [0.17 Gal/h] on MAX |
| Thermal Output Net (MAX) | 14 MJ/h - 13,000 BTU/h - 3.5 kW |
| Burn Time | 7 - 11 hours (approx) |
| Minimum Room Size | 70 cubic metres [2472 cubic feet] per fireplace. |
| Optional Accessories | Twin Feet Fixings, Fire Screens, Decorative Media |

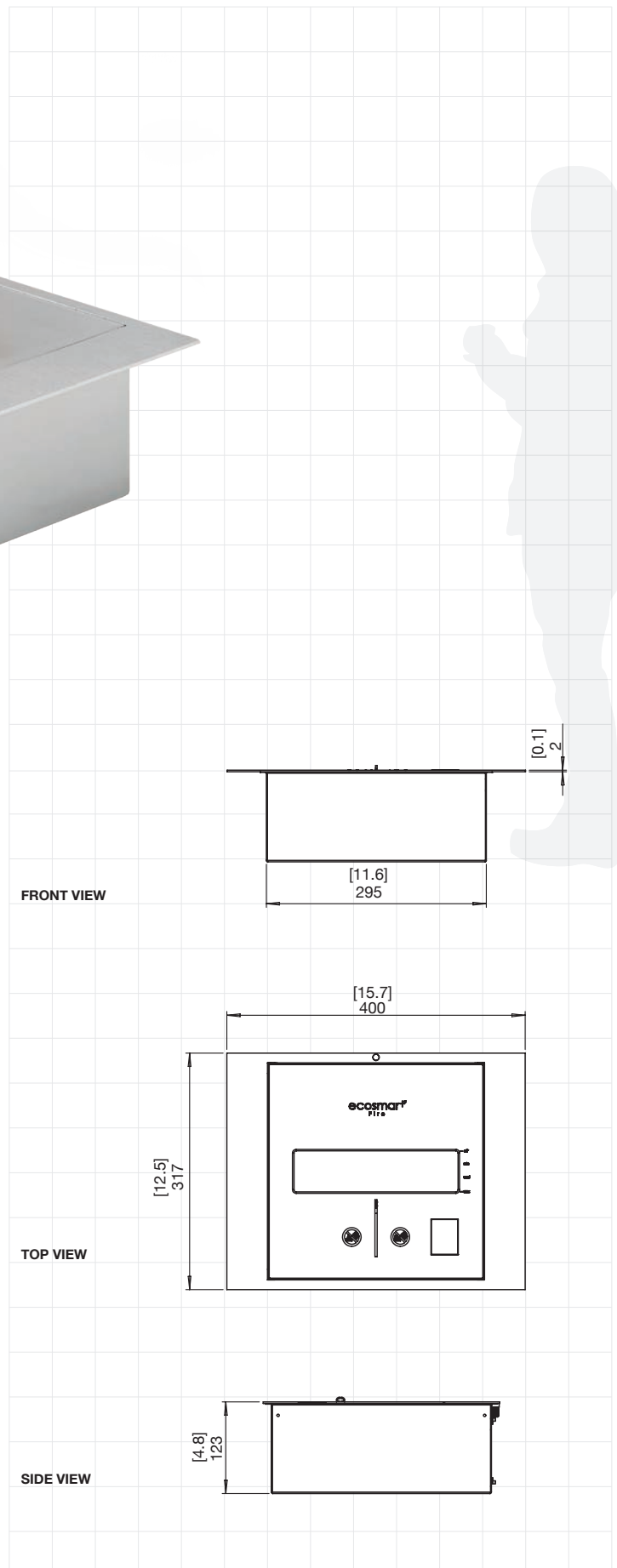
Read the manual carefully before operating the burner. Physical model dimensions should be verified against cut out dimensions BEFORE installation begins to confirm tolerances align.

* The efficiency data outlined above is indicative only and may vary depending on the model purchased, weather conditions, installation and bioethanol used.



FOR MORE INFORMATION PLEASE REFERENCE THE OPERATION & INSTALLATION MANUAL

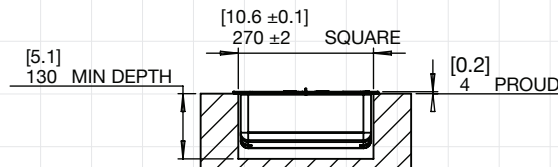
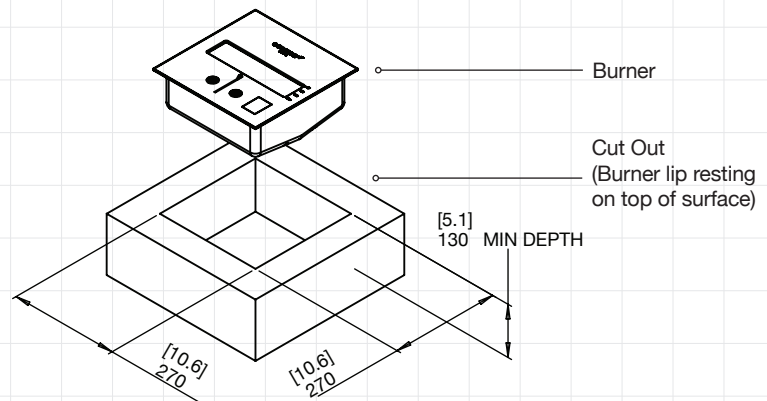
Disclaimer. All product specifications and data are subject to change without notice and believed to be correct at the time of publication. The Fire Company Pty Ltd (TFC), its affiliates, agents, and employees, and all persons acting on its or their behalf (collectively, "The Fire Company"), disclaim any and all liability for any errors, inaccuracies or incompleteness contained herein or in any other disclosure relating to any product. TFC disclaims any and all liability arising out of the use or application of any product described herein or of any information provided herein to the maximum extent permitted by law. The product specifications do not expand or otherwise modify TFC P/Ls terms and conditions of purchase, including but not limited to the warranty expressed therein, which apply to these products. No license, express or implied, by estoppel or otherwise, to any intellectual property rights is granted by this document or by any conduct of TFC. Customers using or selling TFC products not expressly indicated for use in such applications do so entirely at their own risk and agree to fully indemnify TFC for any damages arising or resulting from such use or sale. Please contact authorised personnel from TFC to obtain written terms and conditions regarding products designed for such applications. Images are indicative only.



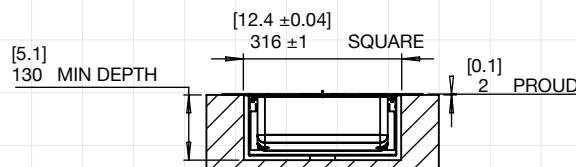
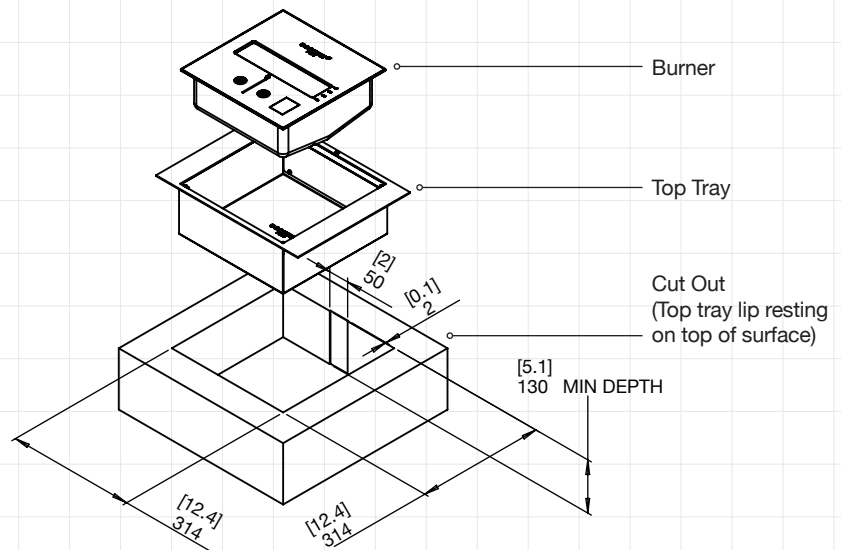
BK5 CUT OUT DIMENSIONS

Physical model dimensions should be verified against cut out dimensions BEFORE installation begins to confirm tolerances align.

More detailed information is required if using the Sense Detection Module (available in Japan only)



Burner WITHOUT Top Tray



Burner WITH Top Tray

FOR MORE INFORMATION PLEASE REFERENCE THE OPERATION & INSTALLATION MANUAL

Disclaimer. All product specifications and data are subject to change without notice and believed to be correct at the time of publication. The Fire Company Pty Ltd (TFC), its affiliates, agents, and employees, and all persons acting on its or their behalf (collectively, "The Fire Company"), disclaim any and all liability for any errors, inaccuracies or incompleteness contained herein or in any other disclosure relating to any product. TFC disclaims any and all liability arising out of the use or application of any product described herein or of any information provided herein to the maximum extent permitted by law. The product specifications do not expand or otherwise modify TFC P/L's terms and conditions of purchase, including but not limited to the warranty expressed therein, which apply to these products. No license, express or implied, by estoppel or otherwise, to any intellectual property rights is granted by this document or by any conduct of TFC. Customers using or selling TFC products not expressly indicated for use in such applications do so entirely at their own risk and agree to fully indemnify TFC for any damages arising or resulting from such use or sale. Please contact authorised personnel from TFC to obtain written terms and conditions regarding products designed for such applications. Images are indicative only.